

Be FAST



T7800

LEVERLESS
ALL-IN-ONE
TIRE CHANGER

JohnBean

T7800

EASE OF USE LESS TECHNICIAN FATIGUE

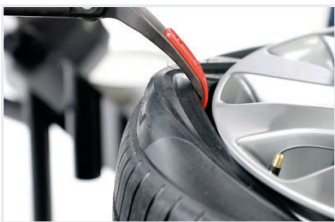
Increase productivity and reduce technician fatigue with the T7800 all-in-one tire changing system from the experts at John Bean®.

Technology and productivity intersect on the T7800 tire changing system. The experts at John Bean have created a machine with advanced features that allow technicians to mount and demount tires at a stunning pace with minimal fatigue and reduced chance of wheel damage.

QuickLOK™ utilizes a center post design to effortlessly and automatically clamp wheels down without the need to fiddle with clunky jaws. The optimum bead breaker system makes short work of breaking beads while minimizing potential wheel damage; even on UHP and run-flat tires. We've included helpful features like a lower bead camera, PROspeed™, and ergonomic features to make your technician's job as easy as possible.



LEVERLESS ALL-IN-ONE TIRE CHANGER



powerMONT™

Our leverless mounting and demounting tool synchronizes with the dynamic bead breaker location for optimum positioning. Featuring upgraded steel and plastic protection to ensure long-term operation, this innovative system is a perfect tool for RFT, UHP, OEM's and low-aspect-ratio tires.



quickLOK™

A powerful, electromechanical device that firmly clamps onto a variety of wheels without the need for wheel protection.



PROspeed™

The innovative self-adjusting technology provides the optimum torque and maximizes the rotation speed for safe, efficient operation.



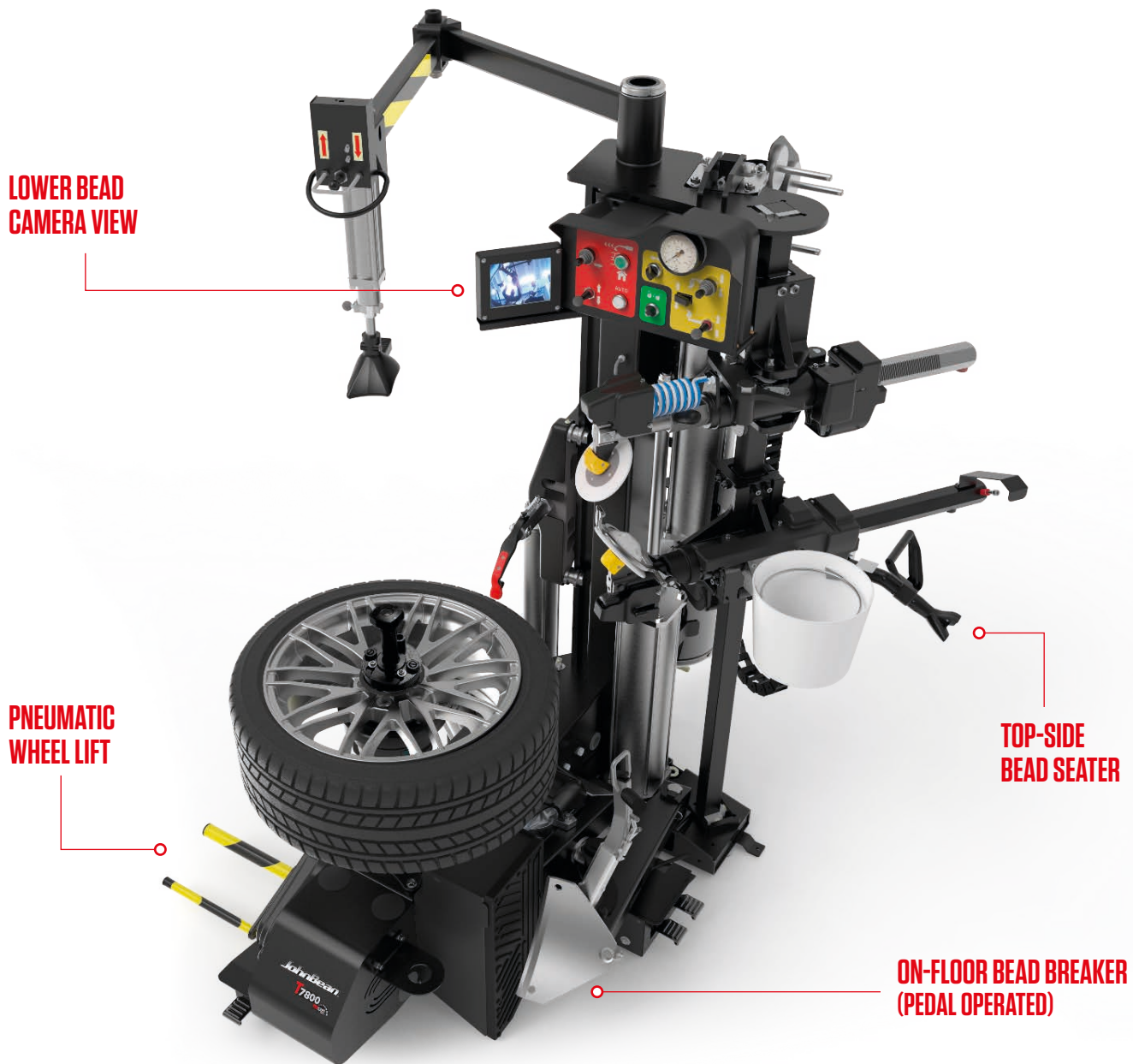
DYNAMIC BEAD BREAKER

The precisely controlled synchronized dual-disk system accurately positions both the upper and lower beads while minimizing the chance of wheel damage. Includes an adjustable tilt for tires with stiff sidewall.

WHEN GOOD ENOUGH ISN'T ENOUGH, JB.

INCREASE PRODUCTIVITY, SAFETY, AND PROFITABILITY

Be FAST



PNEUMATIC WHEEL LIFT

The pedal-operated pneumatic wheel lift assists in lifting heavy wheels to reduce technician fatigue and increase productivity.

LOWER BEAD CAMERA VIEW

The lower bead camera provides a clear view on the control panel monitor for lower bead breaking.

TOP-SIDE BEAD SEATER

This ergonomic hand-held nozzle injects a high-speed blast of air into the tire to raise the bead and seat the tire to the rim.

ON-FLOOR BEAD BREAKER (PEDAL OPERATED)

Traditional side-shovel bead breaker with ergonomic pedal-control positioned away from the shovel; the fastest solution for standard, soft sidewall, and high-aspect tires.

JohnBean



T7800

TECHNICAL SPECIFICATIONS

Max Rim Diameter	30" 76cm
Max Tire Width	15" 38cm
Max Wheel Diameter	47" 119cm
Wheel Lift Capability	154 lbs. 70 kg
Power Supply	230V 1ph 50-60Hz 16A
Air Pressure Required	116-174 PSI 8-12 bar
Dimensions HxWxD	75"x63"x78" 190x160x198cm

STANDARD ACCESSORIES

- Universal Reverse Mount Wheel Kit
- Light Truck Wheel Kit
- Smart Bead Spacer
- Cone Kit
- Reduction Cones
- Spacer For Bead Breaker (20/50/70mm)
- Plastic Rim Protector
- Bead Clamp
- Bead Breaker Blade Protector
- Lube Bucket
- Lube Brush
- powerMONT™ Tool Protector
- Bead Breaker Tool
- 19mm Cylindrical Tip Pins

OPTIONAL ACCESSORIES

- Tool Storage



UNITED STATES
800.362.4618

CANADA
800.362.4608



Snap-on® Total Shop Solutions offers a wide range of garage equipment solutions for workshops, garages, car dealers and tire shops, thanks to the specific solutions provided by its portfolio of premium brands. John Bean is a brand of TSS and is committed to product innovation and improvement. Therefore, specifications listed in this sell sheet may change without notice. ©2022 Snap-on Incorporated. John Bean is a trademark, registered in the United States and other countries, of Snap-on Incorporated. All rights reserved. All other marks are marks of their respective holders. ssw19006g (NA en) 05/2022

